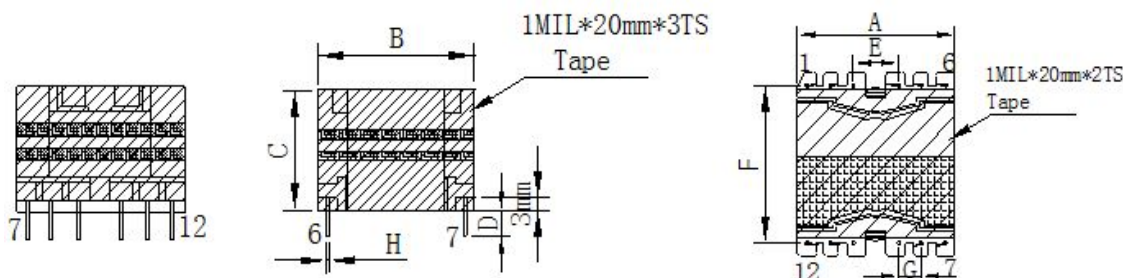


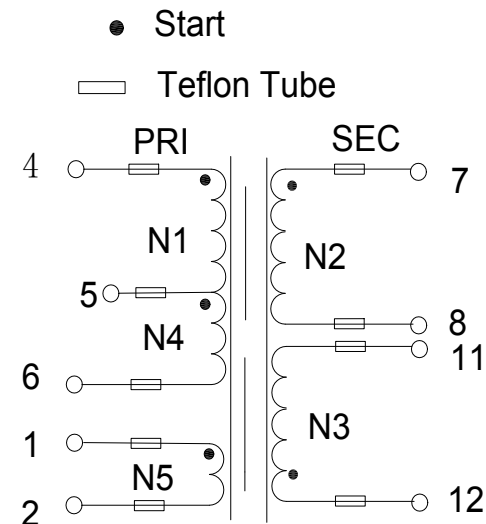
| | | |
|-------------------|------|---------------|
| CUSTOMER TERMINAL | ROHS | Lead(Pb)-free |
| | YES | YES |

1.Mechanical Dimensions



| | | |
|---|------|------|
| A | 29.5 | MAX |
| B | 30.5 | MAX |
| C | 23.5 | MAX |
| D | 3.5 | ±0.5 |
| E | 7.6 | ±0.3 |
| F | 25.4 | ±0.4 |
| G | 3.8 | ±0.3 |
| H | 0.60 | ±0.1 |

2.Schematic Diagram



3.Material List

Core:FW95 PQ2620

Bobbin:FWB2601(6+6PIN)

Wire:2UEW TIW

Copper foil: 0.025t*8.0mm

Operating Temperature: -30 to115 °C

4.Electrical Specification

Inductance: L(4-6):1.6mH±5% 30KHZ , 1V

Leakage Inductance : 30uH MAX 30KHZ , 1V

DCR:(4-6)=1.4ΩMAX (11-12)=0.8ΩMAX

Hi-Pot:P-S: AC 60Hz 4000V 2.0mA 3S

S-CORE: AC 60Hz 4000V 2.0mA 3S

| | | | | | | | |
|-------------|-------|--|------|----------------|----------|--------------------|---------------------------|
| REV. | DATE | <p>Convention Placement</p> | DRW. | Drawing Title: | Part No: | | |
| 0 | 00/00 | | CHK. | | | TRANSFORMER | FWPTPQ2620V162J |
| | | | APP. | | | Customer P/N | Specification Sheet 1of 1 |
| ROHS | | www.ferriwo.com | | | | | |